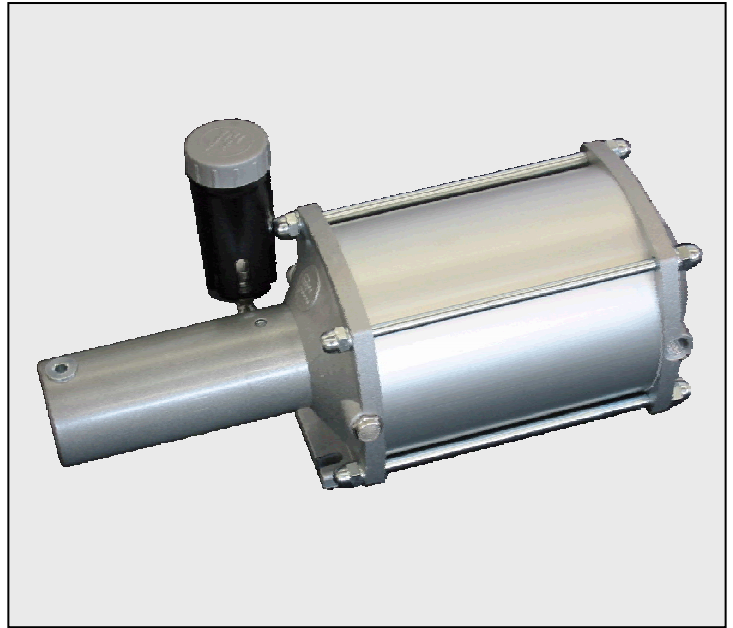


AIR/OIL BOOSTER - SERIES 03 -

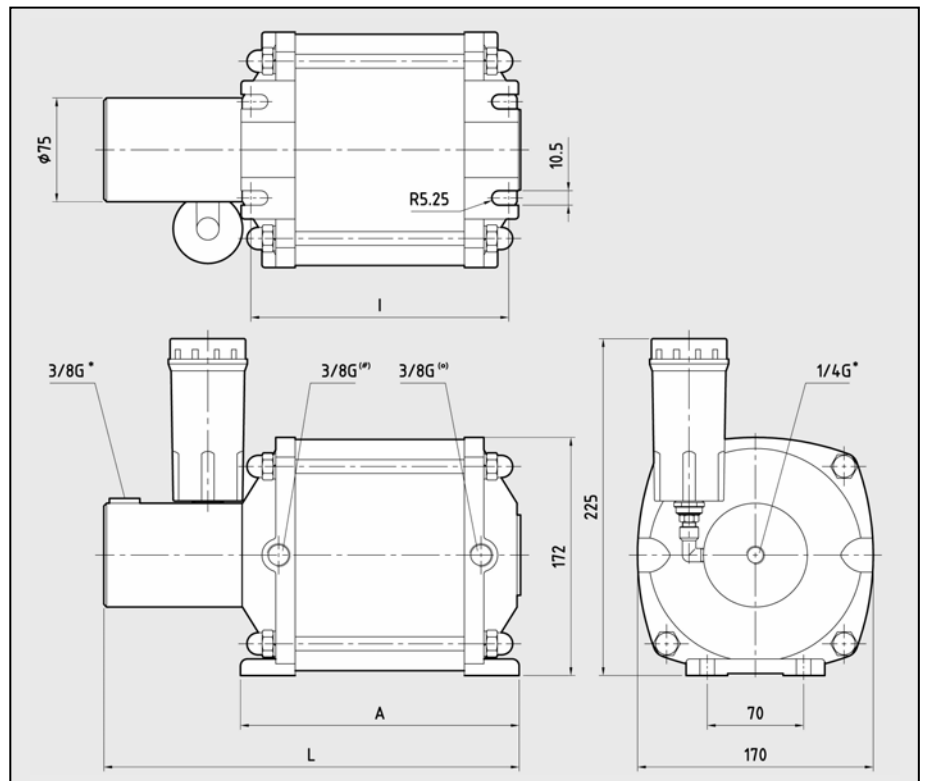


Available in 32 standard models:
16 with spring-loaded return
16 with pneumatic return
Special constructions on request



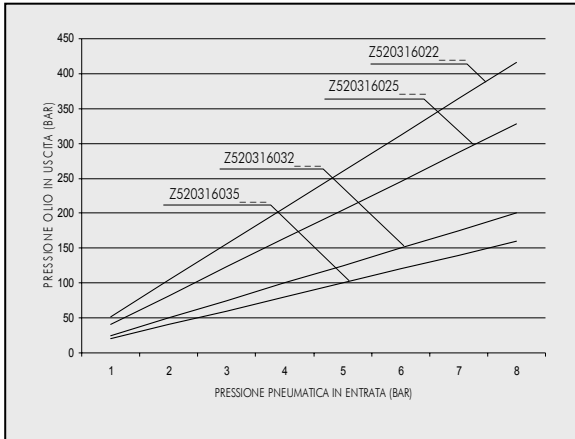
DIMENSIONS

* = Oil flow:
Top and/or front
connection
(#) = With pneumatic
return: air
With spring-loaded
return:
silencer mounted
(o) = Air supply



TECHNICAL CHARACTERISTICS

AIR/OIL PRESSURE RATIO



CODE	PRESSURE RATIO	OIL PRESSURE WITH AIR AT		OIL VOL (cm ³)		AIR VOL (cm ³)	DIMENSIONS (mm)		
		5 BAR	8 BAR				I	H	L
Z52031602205M/P	52:1	260	416	21	19	1005	165	180	260
Z52031602207M/P				28	26	1405	185	200	300
Z52031602210M/P				40	38	2009	215	230	360
Z52031602215M/P				59	57	3015	265	280	460
Z52031602505M/P	41:1	205	328	27	24	1005	165	180	260
Z52031602507M/P				37	34	1405	185	200	300
Z52031602510M/P				52	49	2009	215	230	360
Z52031602515M/P				76	73	3015	265	280	460
Z52031603205M/P	25:1	125	200	44	40	1005	165	180	260
Z52031603207M/P				60	56	1405	185	200	300
Z52031603210M/P				80	76	2009	215	230	360
Z52031603215M/P				120	116	3015	265	280	460
Z52031603505M/P	20:1	105	168	53	48	1005	165	180	260
Z52031603507M/P				72	67	1405	185	200	300
Z52031603510M/P				101	96	2009	215	230	360
Z52031603515M/P				149	144	3015	265	280	460

SPECIAL APPLICATIONS

Special applications are available on request, for example when you need a higher multiplication ratio or dimensions to drawing.

Pressure multipliers can be ordered without an oil tank or with a larger tank.

We can also add surface treatments to the internal and external parts when the multipliers are for use in special conditions or with corrosive substances.

Click on the link below to view pictures of the main special applications.

